

# Vitalize800

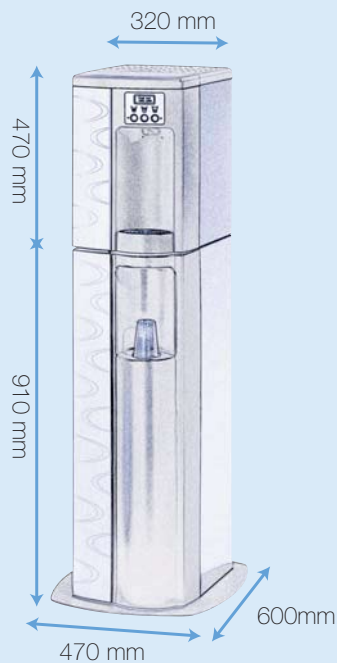
Vitalize800 from IMI Cornelius (formerly known as Pearlmax3) is a stylish water dispenser which is designed to supply organisations and venues with fresh drinking water. The unit is made to ensure the highest levels of hygiene are maintained, and is able to be connected to a CO2 supply if desired. The unit is connected to the mains water line which ensures the Vitalize800 is always ready to dispense a perfectly chilled and refreshing glass of water.

An electronic display ensures the Vitalize800 is easy to use and the unit is so quiet that it can sit within busy office spaces.

Key features include:

- Simple single handed operation with push button technology
- Choice of ambient, chilled, carbonated and oxygenated water
- Choice of 3 different portion sizes
- Supplied with plastic drip tray as standard
- Internal or external CO2 supply
- Complete with a booster pump for areas with low water pressure
- Electronic display shows when the water filter needs to be changed, when the CO2 bottle is empty and also indicates portion size





**Performance:**

Amount of product continuously dispensed per hour with a  $\Delta T$  of:

<b>6°C:</b>	<b>42 litres</b>
10°C:	25 litres
20°C:	17 litres

Maximum ambient temperature: 32°C  
 Dispense rate per hour: 120 litres

**Cooling performance:**

(at 0°C evap. temp.) 291 watts  
 (250 kcal)

**Weight:**

Equipment weight: 24 kg  
 Packed weight: 26 kg

**Electrical:**

Mains: 230 volts / 50Hz  
 Power consumption: 225 watts  
 Supply: 2m mains cable  
 euro style plug

**Refrigeration:**

Compressor: 4cc with direct chill technology  
 Noise level: 50 dBa

**Product coils:**

Material: Stainless Steel  
 Number: 1  
 Length of coils: 8m  
 Diameter: 7mm ID

**Control type:**

Mechanical thermostat

**Options:**

Display module with integrated portion control ability (three portion sizes free programmable), the display alerts the operator when the water filter needs replacing and when the CO2 bottle is empty and also shows the selected portion size.

UVC lamp integrated into the nozzle

Various water filters are available which can be installed behind the unit service door

CO2 pressure regulator can be integrated behind the service door and allows an adoption to customised CO2 bottles

Base stand available with large internal storage capacity ideal for storing filters, CO2 supply etc.

PET bottle fixing point available that positions a bottle underneath the dispense nozzle for easy filling

Separate adjustable cup rest available that allows positioning of cups in different heights below the dispense nozzle

IMI Cornelius reserves the right to modify the details in the publication as products and specifications are updated and improved. All data contained in this literature is correct at time of print. To ensure technical data is accurate please contact IMI Cornelius prior to placing your order.

