

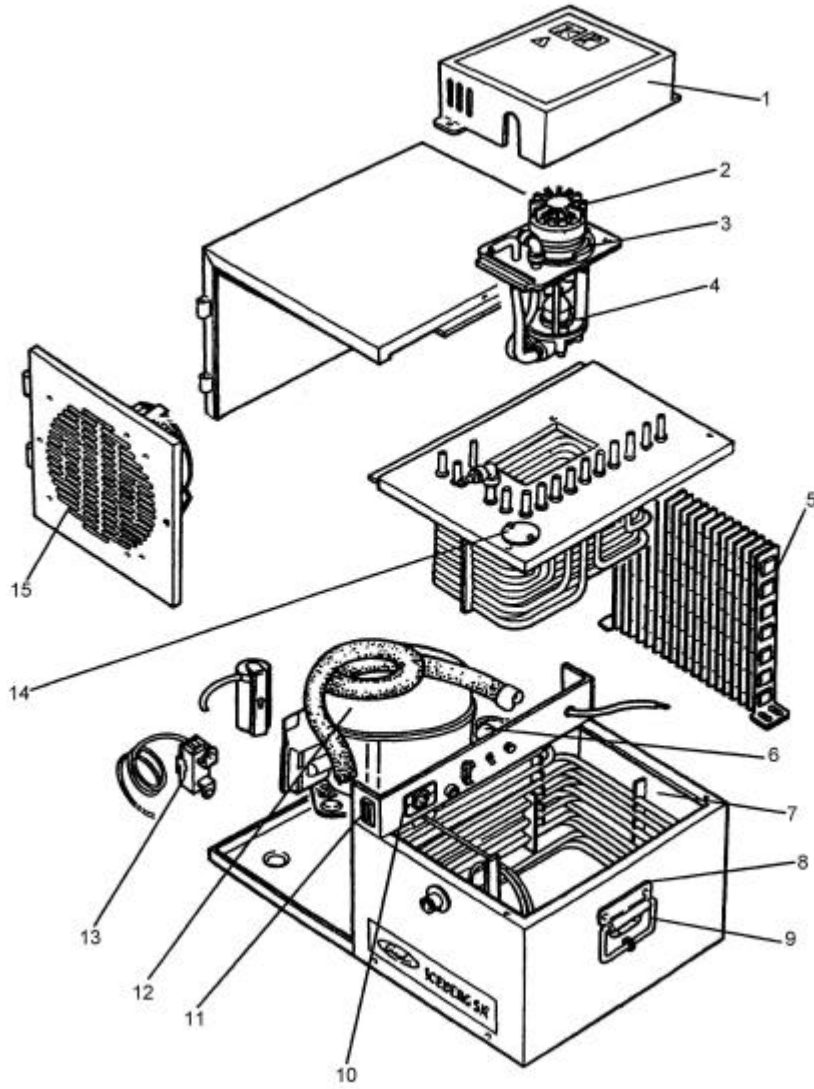
**SPARES LIST****ICEBERG SR AIR COOLED**

ITEM	PART No.	DESCRIPTION
1	58 1101 051	COVER PUMP
2	99 1100 008	PUMP SODA (MOTOR+DRIVE ONLY)
3	99 1100 003	PUMP SODA (COMPLETE)
4	99 1100 009	PUMP SODA (IMPEELOR ASSY ONLY)
5	58 1100 100	CONDENSER STF16124
6	99 1104 003	PUMP CAPACITOR
7	58 1105 004	INSULATED TANK
8	2PR135A	HANDLE PLATE METAL
9	2KN321A	0.232" DIA HANDLE
10	58 0446 146	SOCKET - SNAP FIT FEMALE
11	58 0440 334	INDICATOR BLK/GRN 240v C0430FQ
12a	44 0000 206	COMP SET FR11G LST - DANFOSS
12b	44 0000 232	COMP SET GP12TB - ELECTROLUX
	99 0420 073	COMPRESSOR START RELAY - DANFOSS
	99 0420 178	COMPRESSOR START RELAY - ELECTROLUX
	99 0420 177	COMPRESSOR START CAPACITOR - ELECTROLUX
13	58 1174 007	ICE BANK THERMOSTAT
14	85 6005 818	FILLER PLUG
15	99 1100 152	FAN DOOR ASSY
n/s	58 0440 346	FUSE 1.5amp
n/s	58 0440 352	FUSE BODY 150-459
n/s	58 0440 353	FUSE CARRIER 150-460
n/s	58 0446 138	PLUG RH RE-WIREABLE
n/s	58 0440 408	SWITCH ROCKER
n/s	99 1104 005	OVERFLOW ASSY (SPARES)



SPARES LIST

ICEBERG SR AIR COOLED



IMI Cornelius
Rawson Spring Way
Riverdale Ind Est
Sheffield
S6 1PG
Tel. +44 (0) 1142 855886 Fax. +44 (0) 1142 321070