

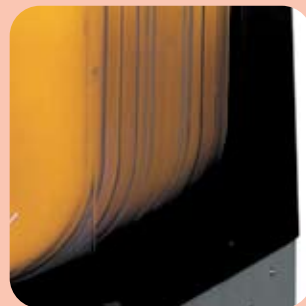
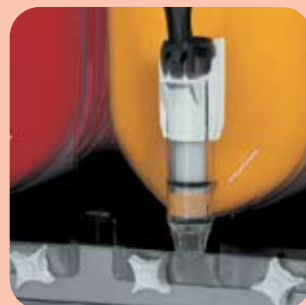
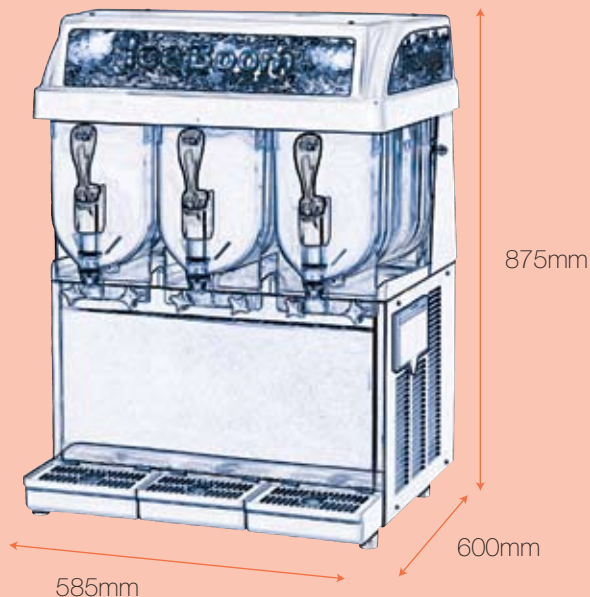
IceFrost930

IceFrost930 from IMI Cornelius is a visual frozen beverage dispenser which delivers lightly carbonated frozen beverages. Both pre-mix and post-mix models are available. The sealed bowls are pressurised with CO2 which increases product quality and preserves freshness. The units are ideal for hygienic dispense of juice, tea, coffee, dairy or carbonated soft drinks.

Key features include:

- Each bowl is refrigerated independently delivering reduced time to serve and optimum refrigeration capacity
- The highly visible product grabs the attention of the customer and drives impulse purchases
- Components can easily be removed for cleaning
- Easy to use





Size and capacity:

Number of bowls:	3 bowls
Bowl capacity:	8 litres (total 24 litres)
Weight unpacked:	107 kg
Weight packed:	116 kg

Electrical:

Unit power rating:	2050 Watts
Mains supply:	230 v, 50 Hz, 1 ph
Run current:	8.1 Amps
Plug connection:	Euro- Schuko plug, 3 pin UK plug
Mains cable:	2.5 metres

Refrigeration:

Compressor size:	8.1 cc
No. of compressors:	3
Refrigerant type:	R404a
Refrigerant charge:	214g
Condenser type:	Copper-Aluminium

Technical:

Control type:	Electronic
Evaporator:	Cylindrical auger scraped
Agitation:	Continuous
Defrost:	Programmable
Max. ambient temp.:	40°C
Housing type:	Painted steel
Drip tray:	Plastic
Splash guard:	Stainless steel
Fill:	Manual

Options:

110v/60Hz and 220v/60Hz models available

IMI Cornelius reserves the right to modify the details in the publication as products and specifications are updated and improved. All data contained in this literature is correct at time of print. To ensure technical data is accurate please contact IMI Cornelius prior to placing your order.

