

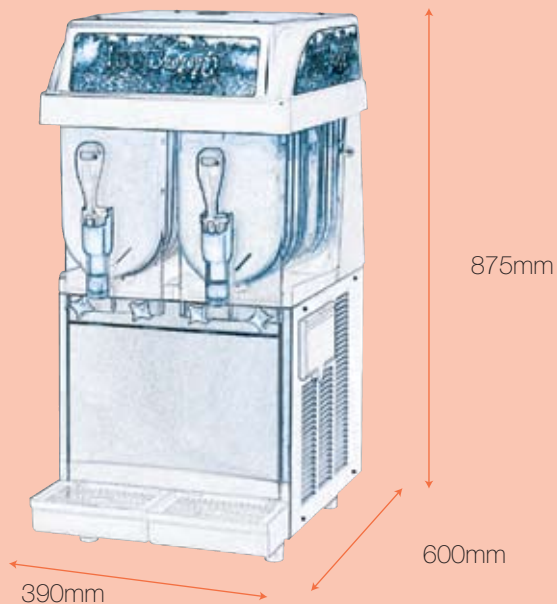
IceFrost920

IceFrost920 from IMI Cornelius is a visual frozen beverage dispenser which delivers lightly carbonated frozen beverages. The sealed bowls are pressurised with CO₂ which increases product quality and preserves freshness. The IceFrost920 is ideal for dispensing carbonated soft drinks and can also be used for hygienic dispense of juice, tea, coffee, or dairy based products.

Key features include:

- Each bowl is refrigerated independently delivering reduced time to serve and optimum refrigeration capacity
- The highly visible product grabs the attention of the customer and drives impulse purchases
- Components can easily be removed for cleaning
- Easy to use
- Cleaning incidence is reduced due to pressurised containers





Size and capacity:

Number of bowls: 2 bowls
 Bowl capacity: 8 litres (total 16 litres)
 Weight unpacked: 68 kg
 Weight packed: 75 kg

Electrical:

Unit power rating: 684 Watts
 Mains supply: 230 v, 50 Hz, 1 ph
 Run current: 6.2 Amps
 Plug connection: Euro- Schuko plug,
 3 pin UK plug
 Mains cable: 2.5 metres

Refrigeration:

Compressor size: 8.1 cc
 No. of compressors: 2
 Refrigerant type: R404a
 Refrigerant charge: 704g
 Condenser type: Copper-Aluminium

Technical:

Control type: Electronic
 Evaporator: Cylindrical auger scraped
 Agitation: Continuous
 Defrost: Programmable
 Max. ambient temp.: 40°C
 Housing type: Painted steel
 Drip tray: Plastic
 Splash guard: Stainless steel
 Fill: Manual

Options:

Auto fill, postmix
 Auto fill, premix
 110v/60Hz and 220/60Hz models

IMI Cornelius reserves the right to modify the details in the publication as products and specifications are updated and improved. All data contained in this literature is correct at time of print. To ensure technical data is accurate please contact IMI Cornelius prior to placing your order.

