



**Apexx 4 Air Cooled
Cooler Carbonator**

SPARES LIST

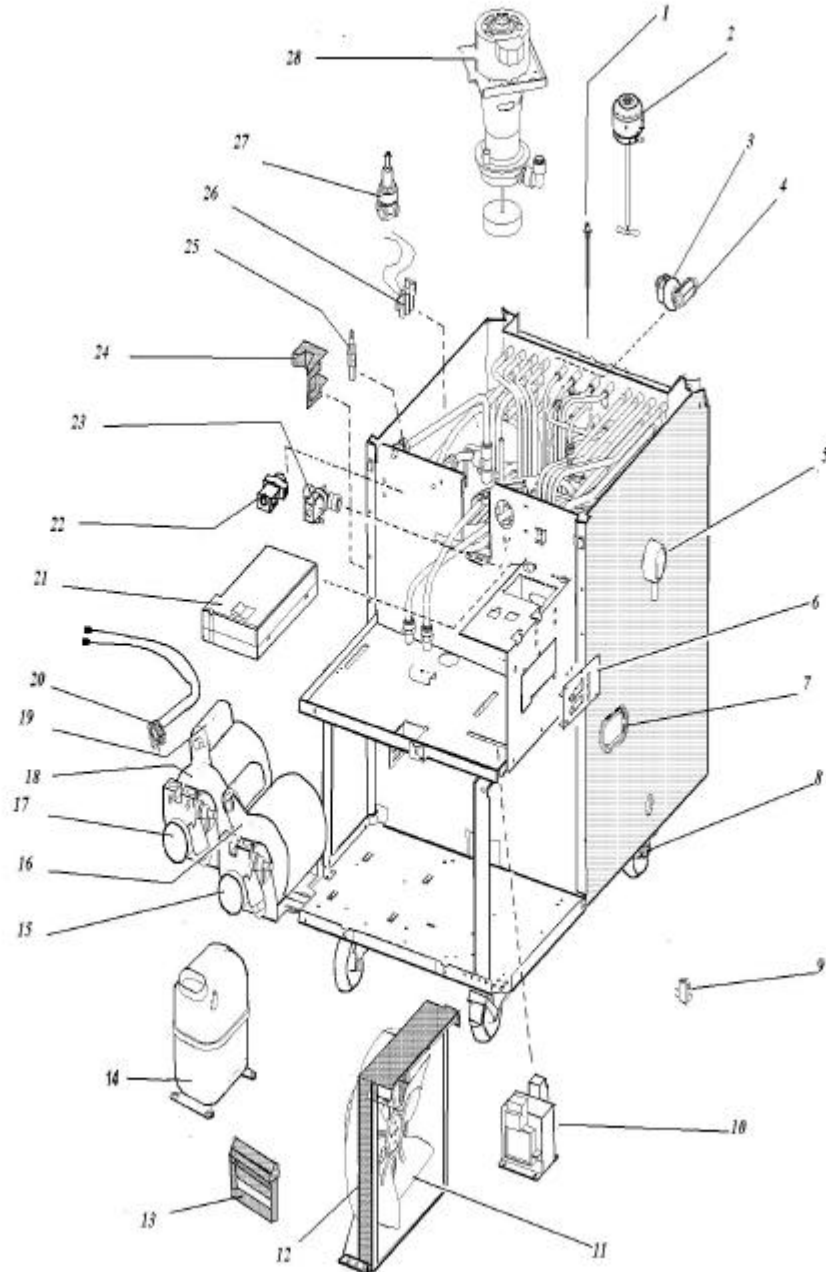
ITEM	PART NO	DESCRIPTION	COMMENTS
1	06 0 090109	LEVEL PROBE 3 PIN LONG	carbonator level probe
2	06 9 090125	AGITATOR ASSY APEXX	includes connectors and capacitor
3	XP110	PRESSURE SWITCH 4/4.4BAR)	
4	4911	NON RETURN VALVE	
5	06 0 095141	OVERFLOW SIGHT GLASS	
	06 0 095128	OVERFLOW SIGHT GLASS O RING	
6	06 0 090147	PCB & LEAD (2 X SWITCHES)	circuit board - Coke
7	58 1105 203	BEZEL LENS	swith control cover
8	58 0480 157	CASTOR 3" BLACK LOCKING	
	58 0480 156	CASTOR 3" BLACK REF 1352040	
9	58 0440 408	SWITCH - ROCKER	
10	44 0000 652	TRANSFORMER ASSY 24VOLTS	
11	06 0 090428	FAN BLADE	fan blade only
12	99 3000 006	FAN MOTOR	fan motor only
	99 3000 004	APEXX 4 CONDENSER FAN ASSy	complete condenser fan motor assy
13	14 1187 100	HANDLE ASSY	
14	44 0000 250	COMPRESSOR SET 26ccHST 230v	includes relay and capacitor
	3TS022A	CAPACITOR	
	3TS013A	PROTECTOR	
	3TS004A	RELAY	
15	58 0420 557	WATER PUMP ONLY 100 GPH	use with 1/4 HP motor only
16	06 9 090141	PUMP MOTOR ASSY 1/4 SISME	use with 100 GPH pump head only
17	13 5681 002	PROCON PUMP S/S	soda recirc pump only
18	06 9 090140	S/R MOTOR ASSY (SPARES)	includes connnectors
19	99 0440 175	CAPACITOR ASSY APEXX	includes connectors
20	58 0440 401	SWITCH THERMAL CUT OUT	pump overheat cut out
21	44 0000 916	APEXX CONTROLLER	control box
22	58 0400 238	SOLENOID VALVE	water inlet (100 gph pump)
23	58 0400 313	SOLENOID VALVE	water inlet (200 gph pump)
24	06 0 095134	BACK SPACER	
25	44 0000 693	NON RETURN VALVE DOUBLE	
26	44 0000 903	PROBE 3 PIN LONG LEAD	ice probe
27	44 0000 752	WATER REGULATOR BRASS	
28	06 X 090361	SODA PUMP ASSY S/R 4	includes connectors and capacitor
not shown	58 0475 225	MOUNTING FOOT	
not shown	58 0440 420	CONTACTOR	
not shown	06 0 090115	CARB PUMP CHECK PORT KIT	check port (Belgium export units)

performance proven innovation



Apexx 4 Air Cooled Cooler Carbonator

SPARES LIST



IMI Cornelius. Rawson Spring Way
Riverdale Ind Est. Sheffield S6 1PG
Tel: 01142855886. Fax: 01142321070



PERFORMANCE
PROVEN
INNOVATION
EFFICIENCY
EVALUATION
SUPPORT
SERVICE