



Apexx 1.5 Air Cooled
Cooler Carbonator

PERFORMANCE
Proven
INNOVATION
www.cornelius.com

SPARES LIST

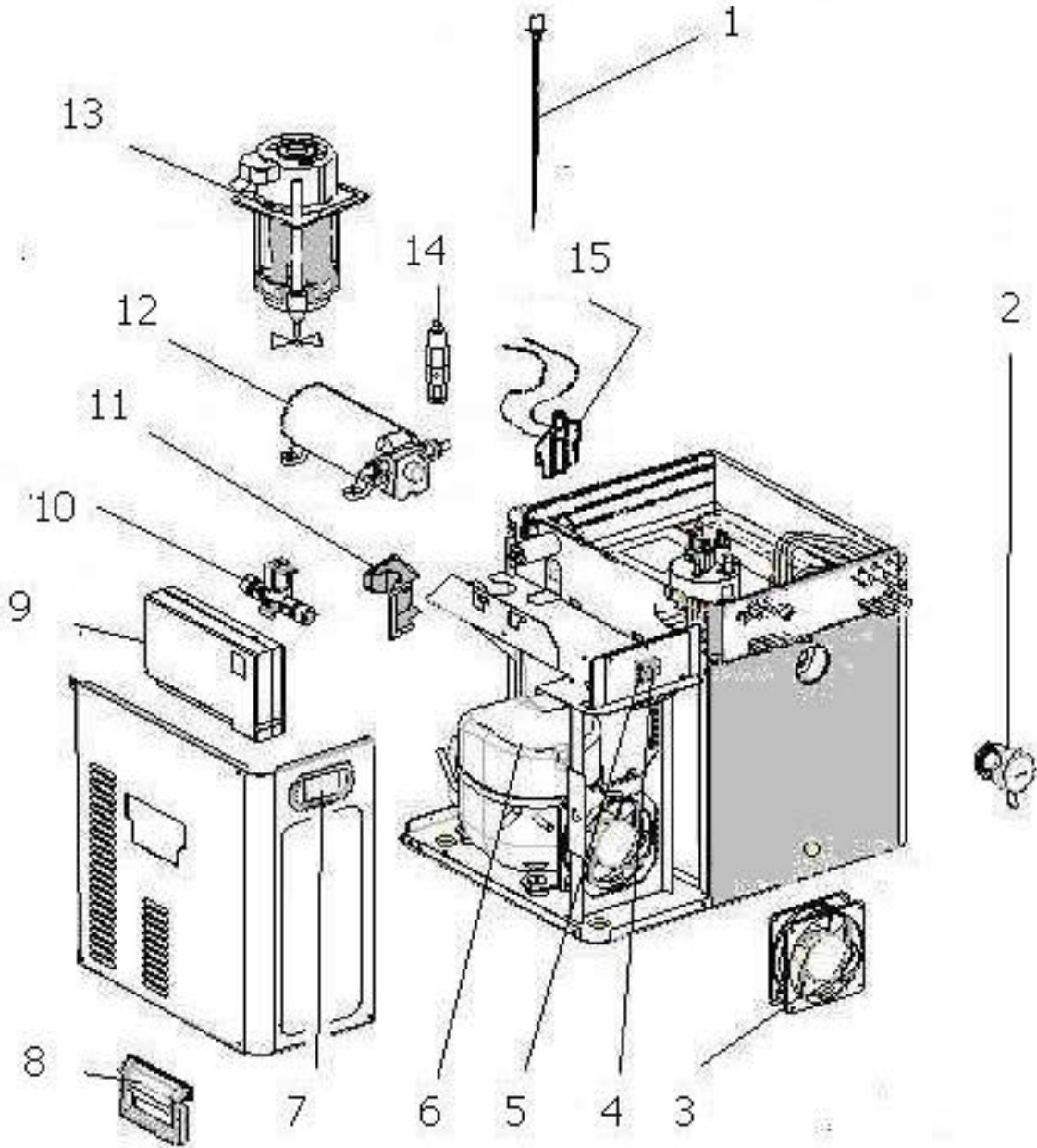
ITEM	PART No	DESCRIPTION	COMMENT
1	06 0 095017	LEVEL PROBE 3-PIN	carbonator level probe
2	06 9 095141	OVERFLOW SIGHT GLASS (SPARES)	includes 'o' ring
3	44 0000 050	FAN MTR	condenser fan motor
4	06 0 090147	PCB 2 SWITCHES SMALL GRAPHICS	circuit board
5	58 0440 408	SWITCH ROCKER	
6	44 0000 206	COMPRESSOR SET DANFOSS	include start relay
	99 0420 073	compressor relay	
7	58 1105 203	BEZEL LENS SMALL	switch panel cover
8	14 1187 100	HANDLE ASSY	
9	44 0000 916	APEXX CONTROLLER	control box
10	58 0400 240	SOLENIOD VALVE 3/8"	
	44 0000 671	SOLENOID VALVE – Spanish market only	
11	06 0 095134	BACK SPACER	
12	14 9900 015	FLOJET PENTAFLEX PUMP	carbonator fill pump
13	06 9 090361	SODA PUMP ASSY SR4 (SPARES)	use after Nov 2001
	06 9 090038	SODA PUMP ASSY SR4 (SPARES)	use before Nov 2001
	99 0440 175	CAPACITOR ASSY APEXX SPARES	includes connectors
14	44 0000 693	NON RETURN VALVE	
15	44 0000 903	PROBE 3-PIN LONG LEAD - 1400mm	ice probe



Apexx 1.5 Air Cooled Cooler Carbonator

PERFORMANCE
PROVEN
INNOVATION
EFFICIENCY
RELIABILITY
VERSATILITY
EASY MAINTENANCE

SPARES LIST



apexx 1.5

IMI Cornelius. Rawson Spring Way
Riverdale Ind Est. Sheffield S6 1PG
Tel: +44 (0) 1142 855886
Fax: +44 (0) 1142 321070